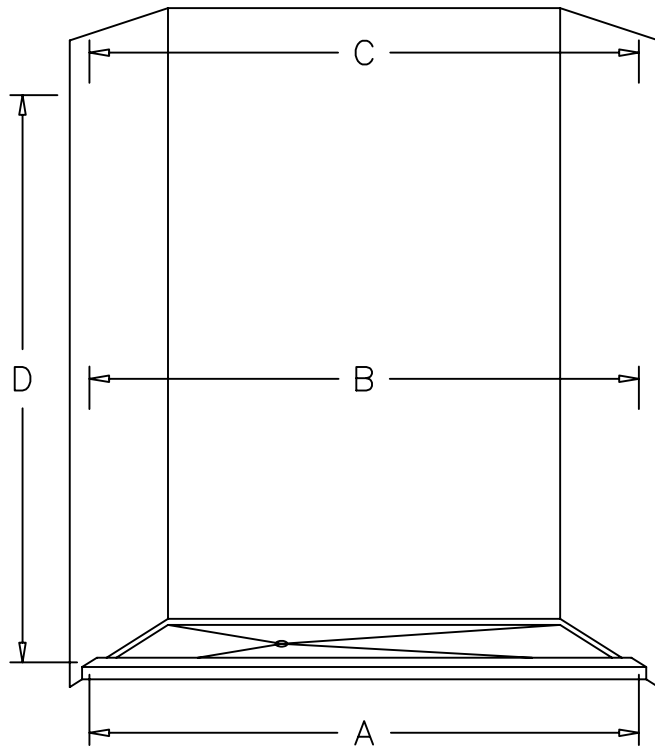


### ID or EX door & panel(s) shower enclosure



A

B

C

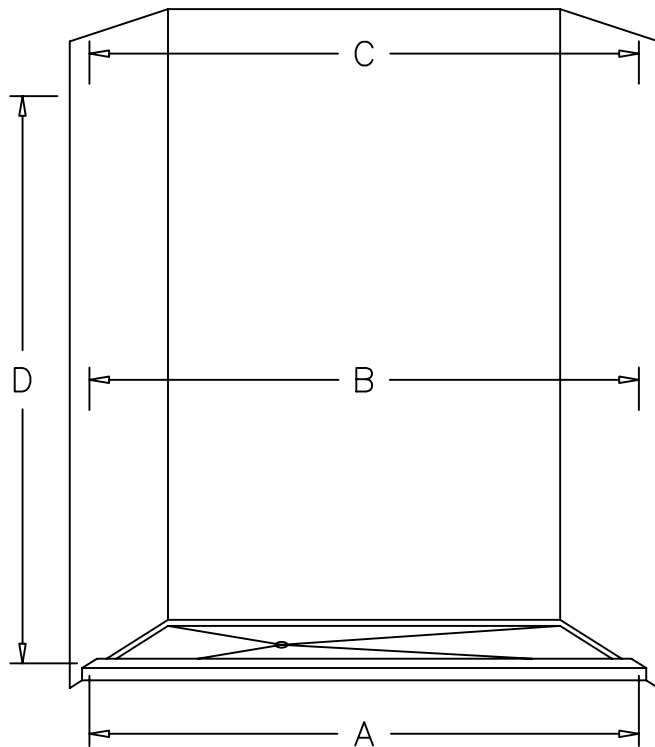
D

D

Shower Head: L or R  
(Circle one)

Hinge Side: L or R  
(Circle one)

### IDT or EXT door & panel(s) shower enclosure



A

B

C

D

D

Shower Head: L or R  
(Circle one)

Hinge Side: L or R  
(Circle one)